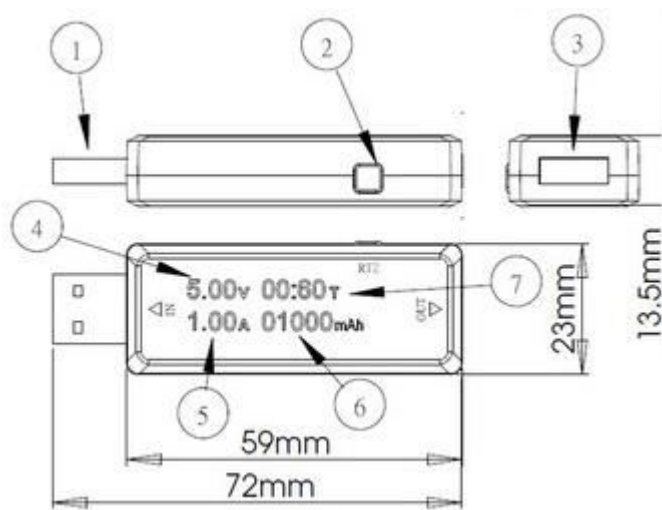


3V1 USB merač napätia,prúdu a kapacity Návod



- 1-USB connector (connect to PC)
- 2- RESET button (reset time and capacity)
- 3- USB input (USB to connect the device)
- 4- Voltage (current voltage)
- 5 Current (current supplied by the USB meter)
- Capacity (mAh)
- 7- Time (elapsed time since switch-on or last reset)

More on support page: Usefuldata.com / Keweisi

3V1 Keweisi USB meter technical parameters:

- Voltage Range: 3V-9V
- Current Range: 0-3A
- Accuracy: 1%
- Time: 0-99 Hours
- USB Compatibility: USB 2.0 and USB 3.0 (works at 2.0 Speeds)
- Dimensions: 2.75in x .91in x .59in (70mm x 23mm x 15mm)
- Weight: .53oz
- Sampling Resistance: 50mΩ
- Measurable Capacity Range: 0-99,999mAh
- Current Consumption: <12mA
- Display Type: 1.04in OLED Screen
- Display Color: White
- Designed By: Keweisi

More on support page: Usefuldata.com / Keweisi

