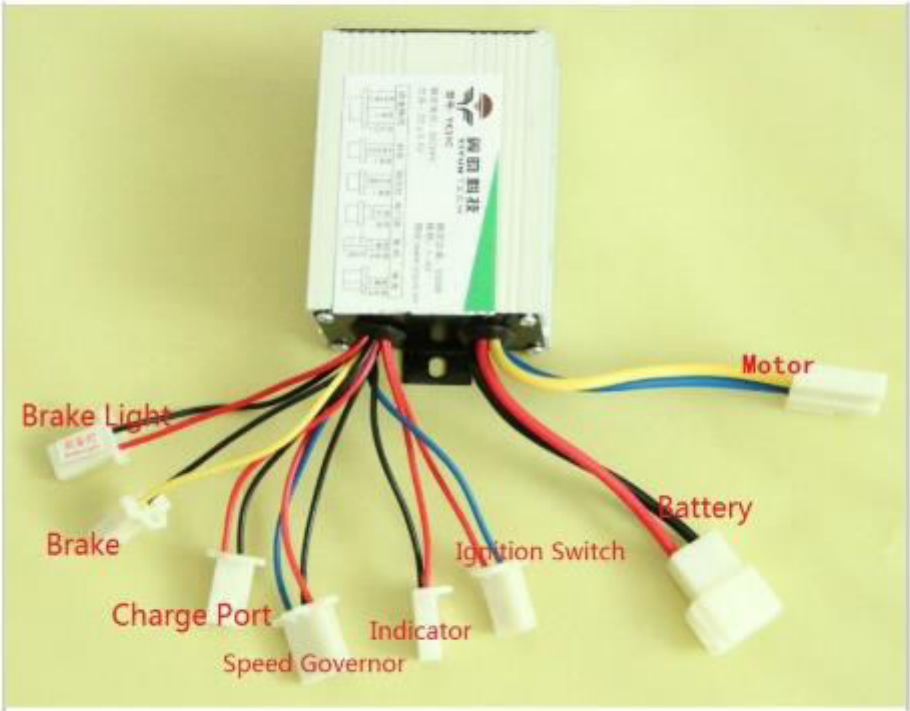
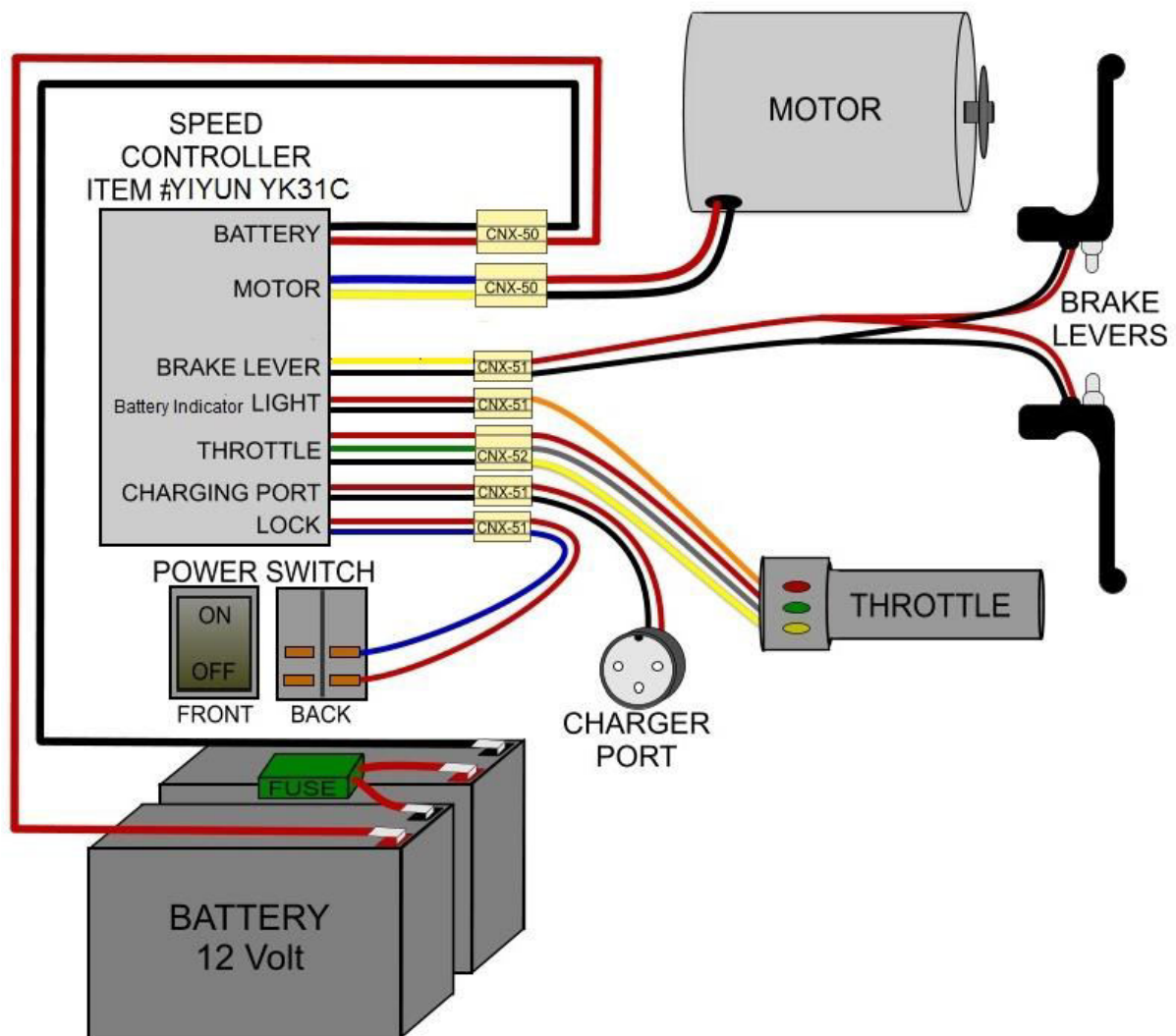


manual for YIYUN YK31C Controller

YK31C Diagram



YIYUN YK31C SPEED CONTROLLER 24V (36V and 48V) WIRING DIAGRAM



- **Battery** :Thick Black (Power Negative) /Thick Red (Power Positive)
- **Motor** :Thick Yellow (Motor Negative) /Thick Blue (Motor Positive)
- **Ignition Switch** :Thin Red(VCC)/Thin Blue
- **Indicator** : Thin red (Indicator power output) /thin black (indicator negative)
- **Brake**: Thin yellow (Brake signal)/thin black(Negative Power)
- **Speed governor** : Thin blue(Speed handlebar Signal input) /Thin black (Negtive Power) /thin red(5V Positive Power)
- **Charge Port**: Thin red (charge input power Positive) /thin black (Power negative)
- **Brake Light**: Thin red (power Positive) /thin black (Power negative)

[Here is complete manual with wirring](#)